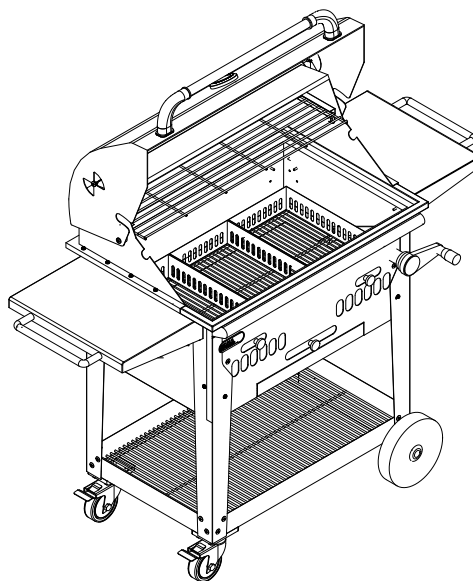
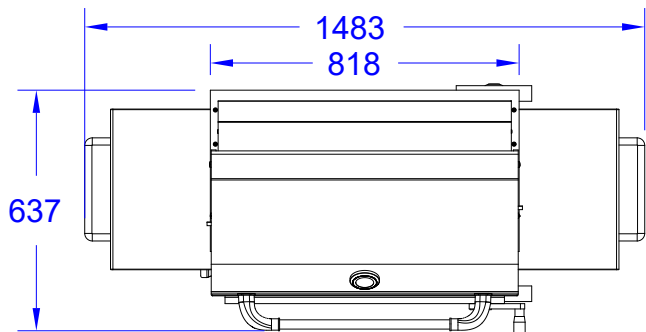




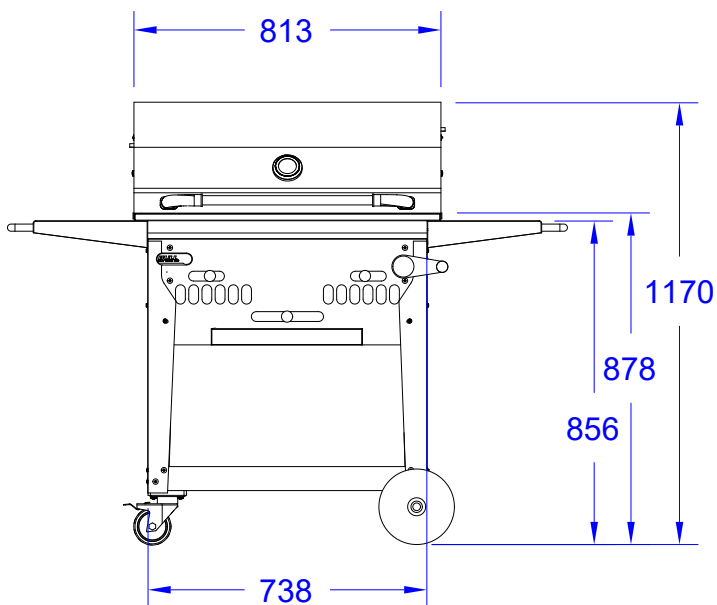
ITEMS: #88000  
NEW BISON CHARCOAL  
CART



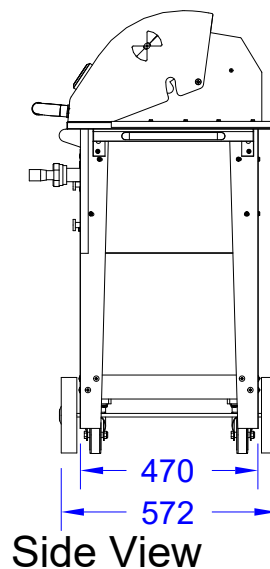
Isometric View



Top View



Front View



Side View

SPEC SHEET NOTES:

- 1. SCALE: 1:20 ( Printer page scaling none, do not use fit to printable area option)
- 2. REVISION: 07/2019