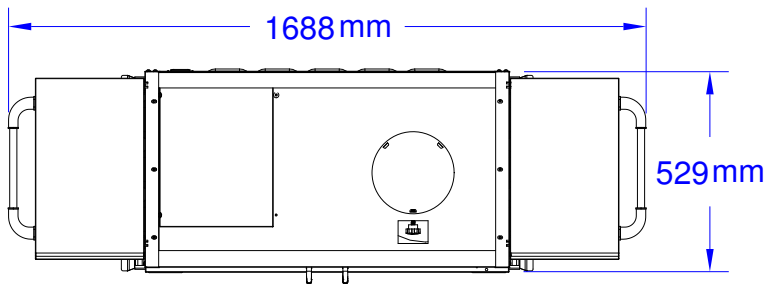
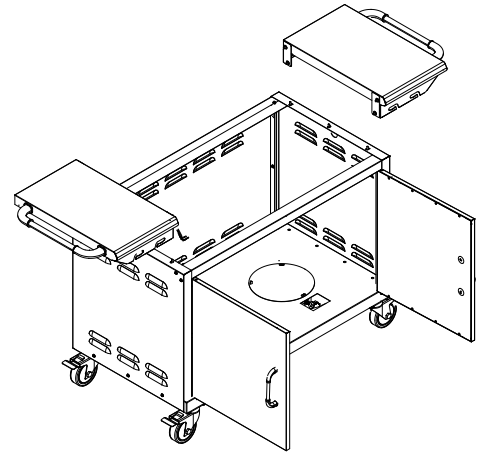




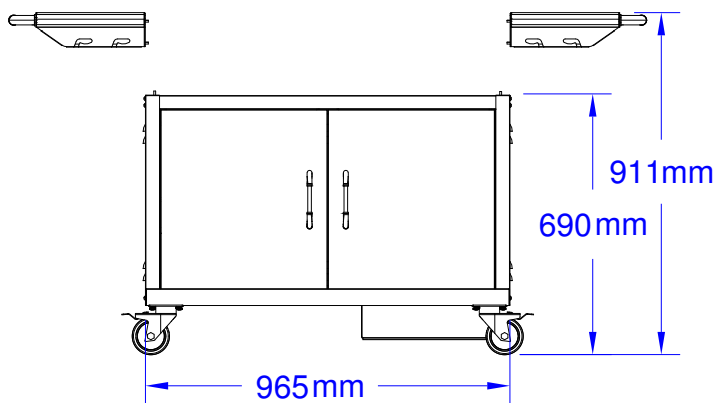
ITEMS: #55510CE
BRAHMA CART BASE



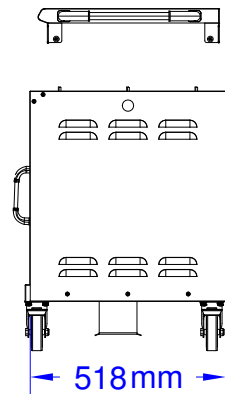
Top View



Isometric View



Front View



Side View

SPEC SHEET NOTES:

- 1.SCALE: 1 : 20 (Printer page scaling none, do not use fit to printable area option)
2. REVISION: 10/2018