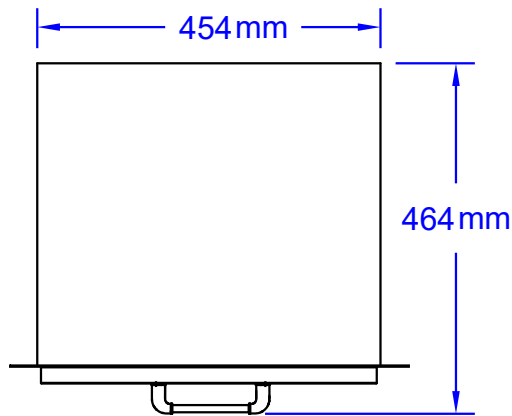
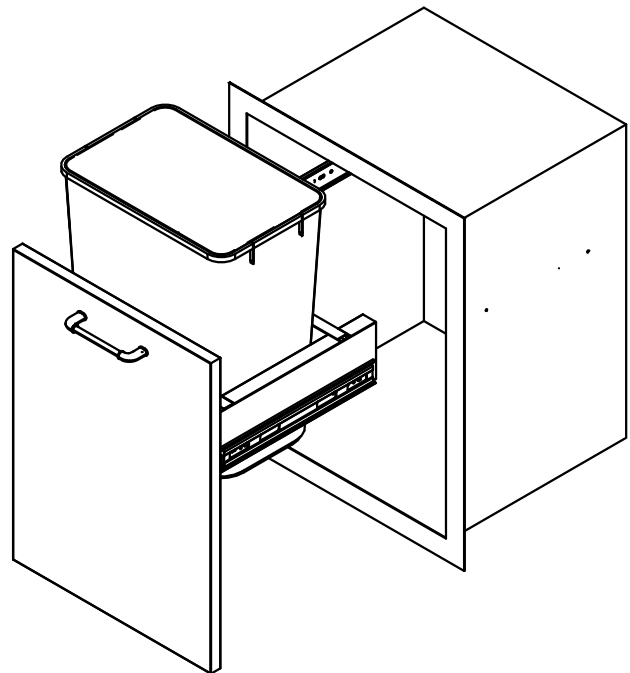




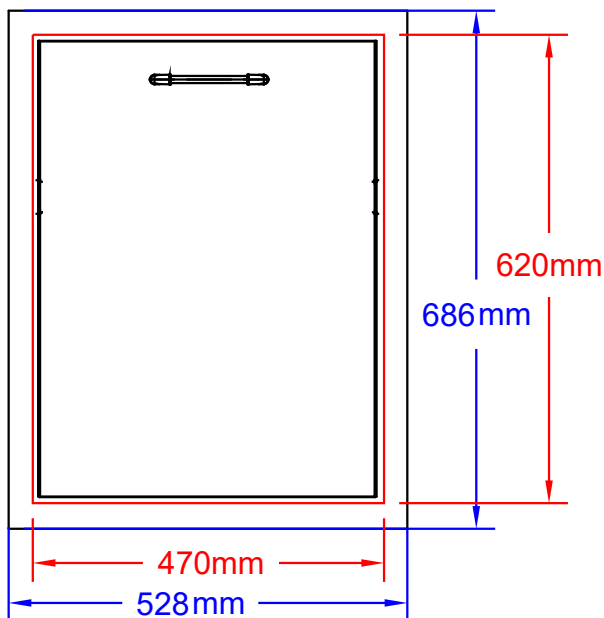
ITEMS: #56925
TRASH DRAWER, PULL OUT WITH
TRASH CAN S/STEEL



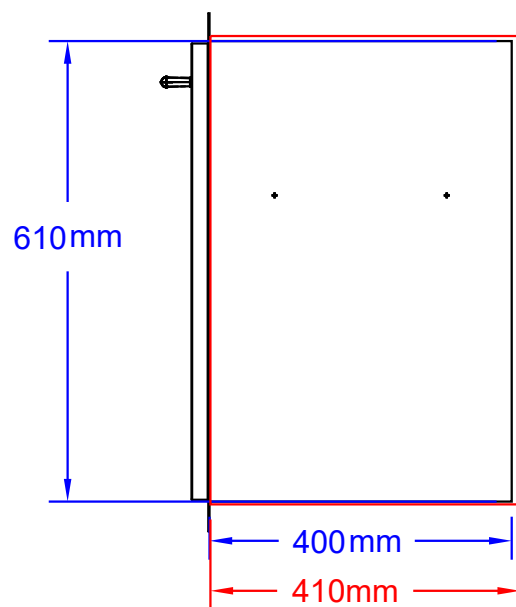
Top View



Isometric View



Front View



Side View

SPEC SHEET NOTES:

1. CUTOUT DIMENSIONS :470L X 410D X 620H
2. SCALE: 1 : 10 (Printer page scaling none, do not use fit to printable area option)
3. REVISION: 05/2019