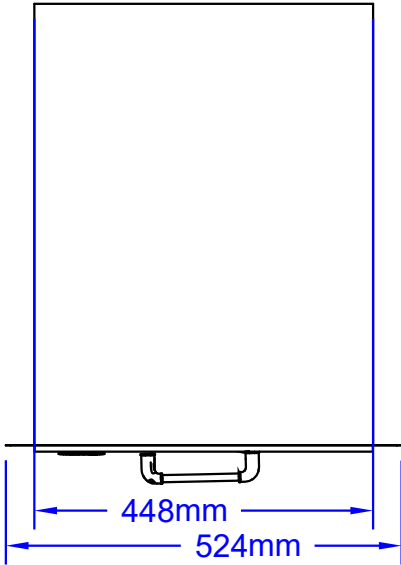


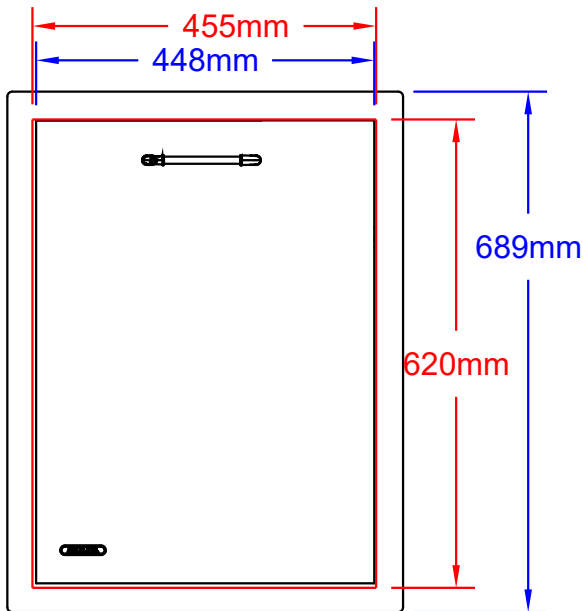
**BULL**  
EUROPE



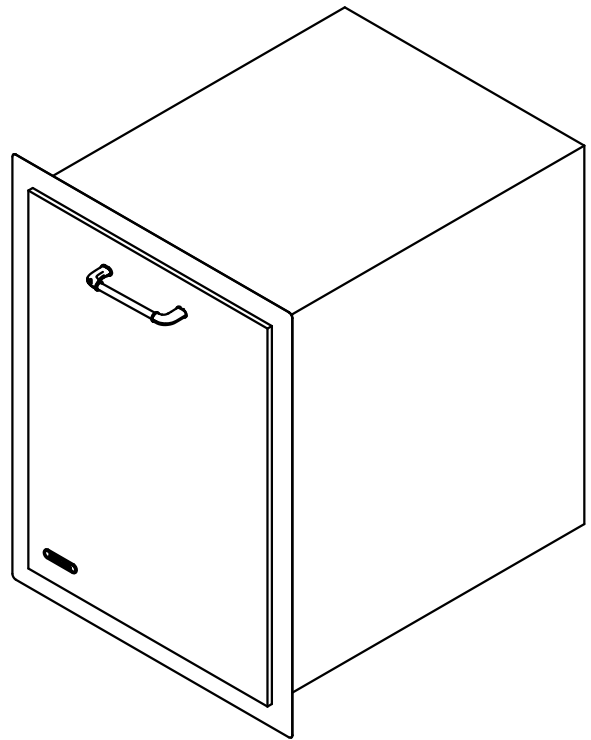
**ITEMS: #56935**  
**Double Trash Drawer**



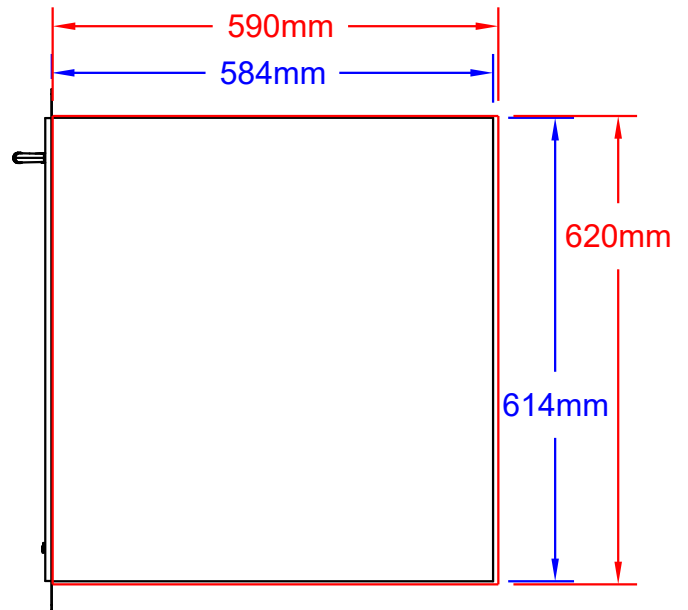
Top View



Front View



Isometric View



Side View

**SPEC SHEET NOTES:**

1. CUT DIMENSION 455L X 590D X 620H
2. SCALE: 1 : 10 ( Printer page scaling none, do not use fit to printable area option )
3. REVISION: 06/2023