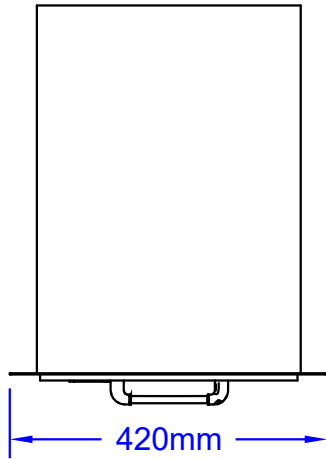
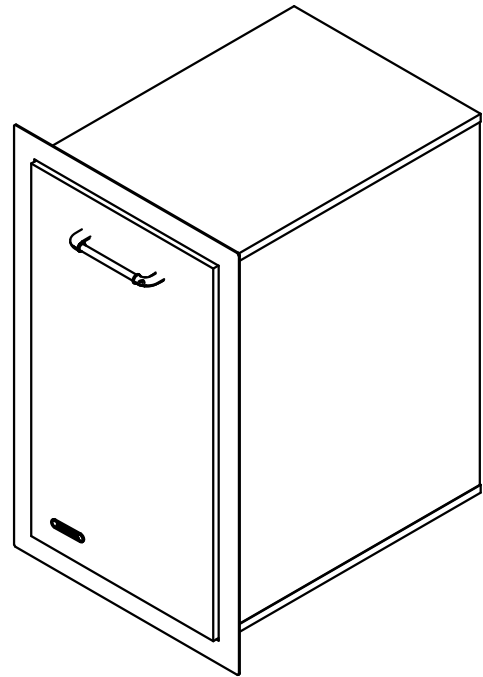




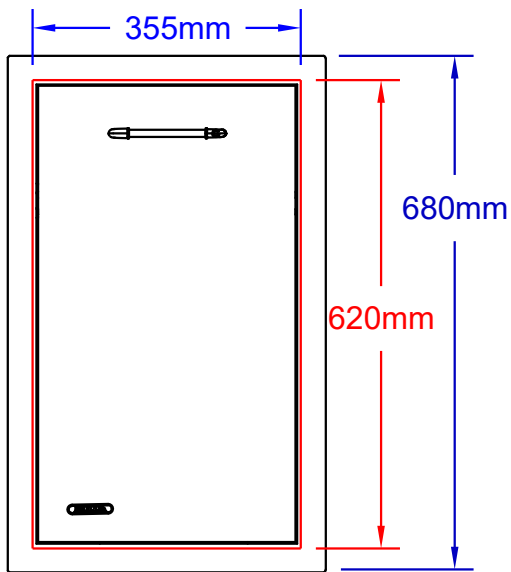
ITEMS: #56941
Slim Trash Drawer



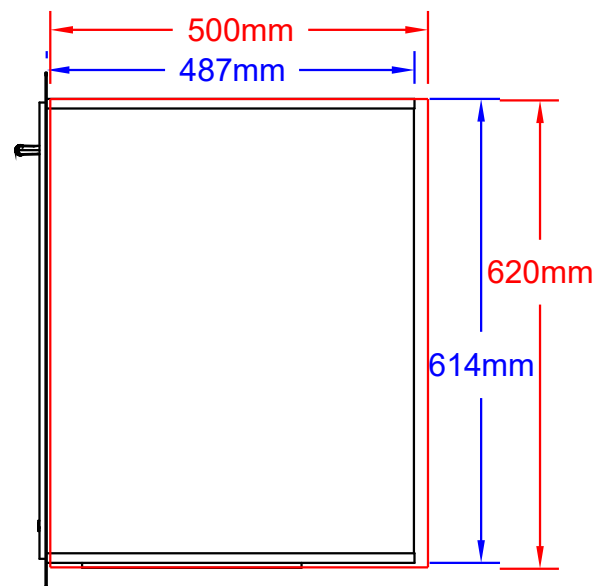
Top View



Isometric View



Front View



Side View

SPEC SHEET NOTES:

1. CUT DIMENSION 355L X 500D X 620H
2. SCALE: 1 : 10 (Printer page scaling none, do not use fit to printable area option)
3. REVISION: 06/2023