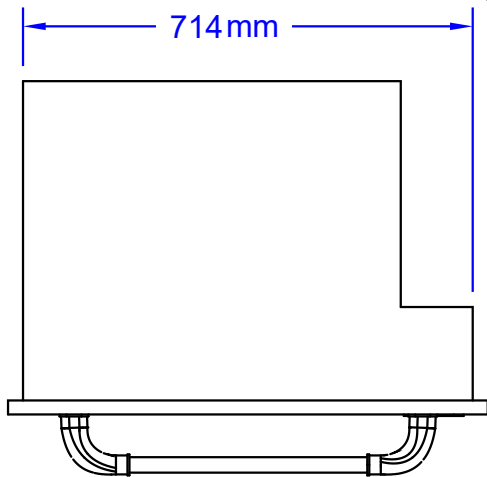
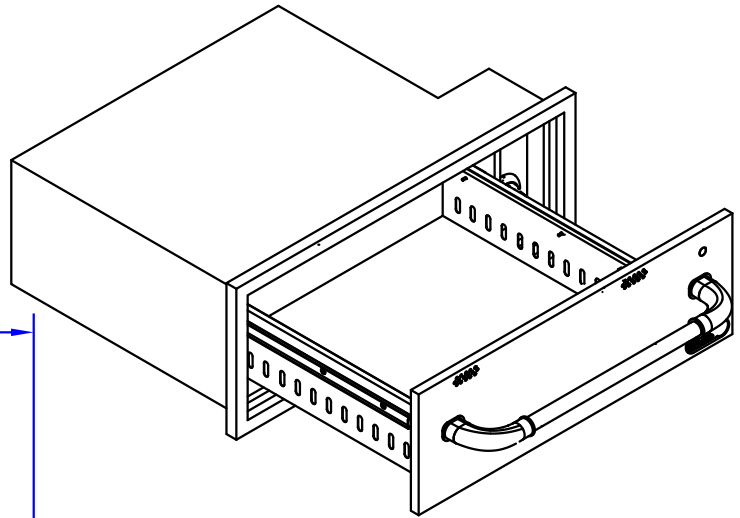




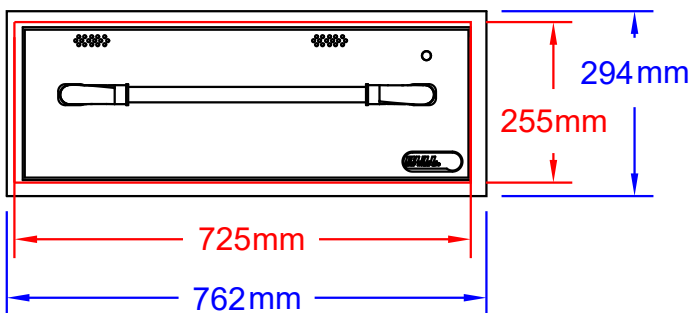
ITEMS: #85747  
WARNING DRAWER



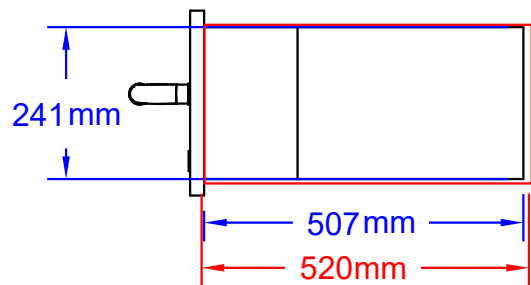
Top View



Isometric View



Front View



Side View

SPEC SHEET NOTES:

- 1. CUT DIMENSION 725L X 520D X 255H
- 2. SCALE: 1 : 12 ( Printer page scaling none, do not use fit to printable area option )
- 3. REVISION: 07/2018