



## ASSEMBLY & OPERATING INSTRUCTIONS

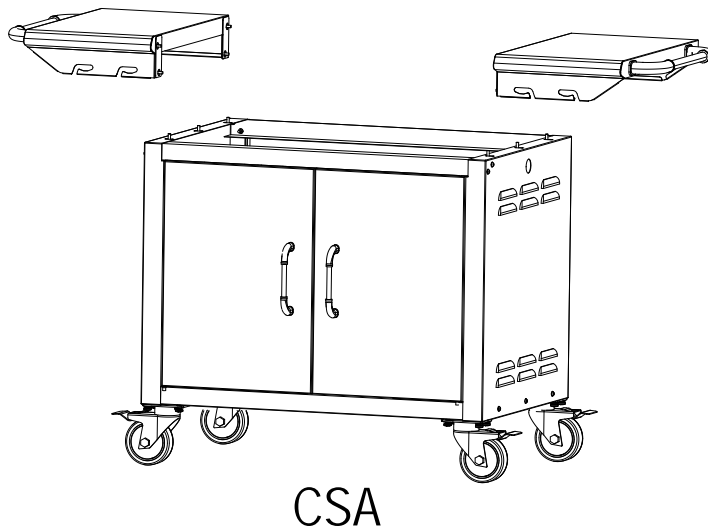
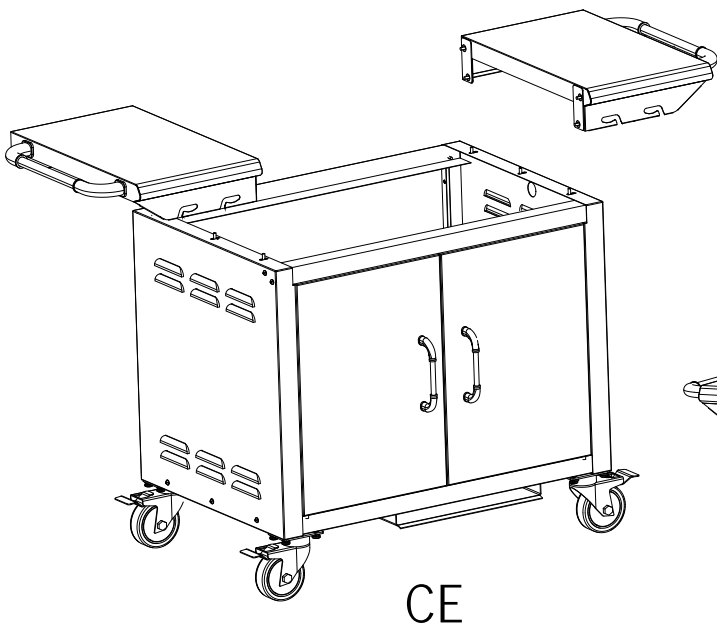
MODEL #45551CE

770mm PEDESTAL CE CART

MODEL #45551

30" PEDESTAL CSA CART

FOR USE WITH ANGUS , LONESTAR SELECT & OUTLAW GRILL HEADS





**TABLE OF CONTENTS**

**PAGE #**

HARDWARE LIST .....	3
ASSEMBLY INSTRUCTIONS .....	4
CLEANING & MAINTENANCE .....	9
CLEANING THE GRILL CART .....	9
PARTS LIST .....	10
EXPLODED ILLUSTRATION.....	11
LIMITED WARRANTY.....	12

READ THE FOLLOWING INSTRUCTIONS CAREFULLY AND BE SURE YOUR GRILL CART IS PROPERLY INSTALLED, ASSEMBLED AND CARED FOR. FAILURE TO FOLLOW THESE INSTRUCTIONS MAY RESULT IN SERIOUS BODILY INJURY AND/OR PROPERTY DAMAGE. IF YOU HAVE QUESTIONS CONCERNING ASSEMBLY OR OPERATION, CONSULT YOUR DEALER OR APPLIANCE SERVICE REPRESENTATIVE.

- NOTE TO INSTALLER: LEAVE THESE INSTRUCTIONS WITH THE CONSUMER AFTER INSTALLATION.
- NOTE TO THE CONSUMER: RETAIN THESE INSTRUCTIONS FOR FUTURE REFERENCE.

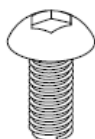
\*FOR WARRANTY PURPOSES, PLEASE RECORD YOUR MODEL NUMBER, SERIAL NUMBER, DATE OF PURCHASE & A COPY OF YOUR RECEIPT OR INVOICE IN THE BACK OF YOUR MANUAL ON PAGE 10.



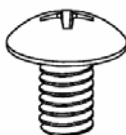
# BULL

## HARDWARE LIST

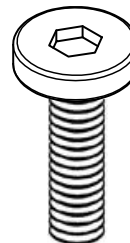
1A – 5 x 12 mm Allen pan head screw  
(14x)



1B – 6 x 10mm Phillips flat head screw (4x)  
\*CE only\*



1C – 8 x 20 mm Allen pan head screw  
(16x)



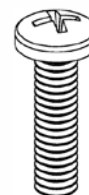
1D – 8.5 x 16 mm Small flat washer (16x)



1E – ¼" X ¾" flat washer (4x)



1F – ¼" x 1" Phillips pan head (4x)



1G– 5.3 x 15 mm Washers (14x)



1H– Washer single coil M8.0x4.0 (16x)



3 mm Allen Key (1x)



5 mm Allen Key (1x)

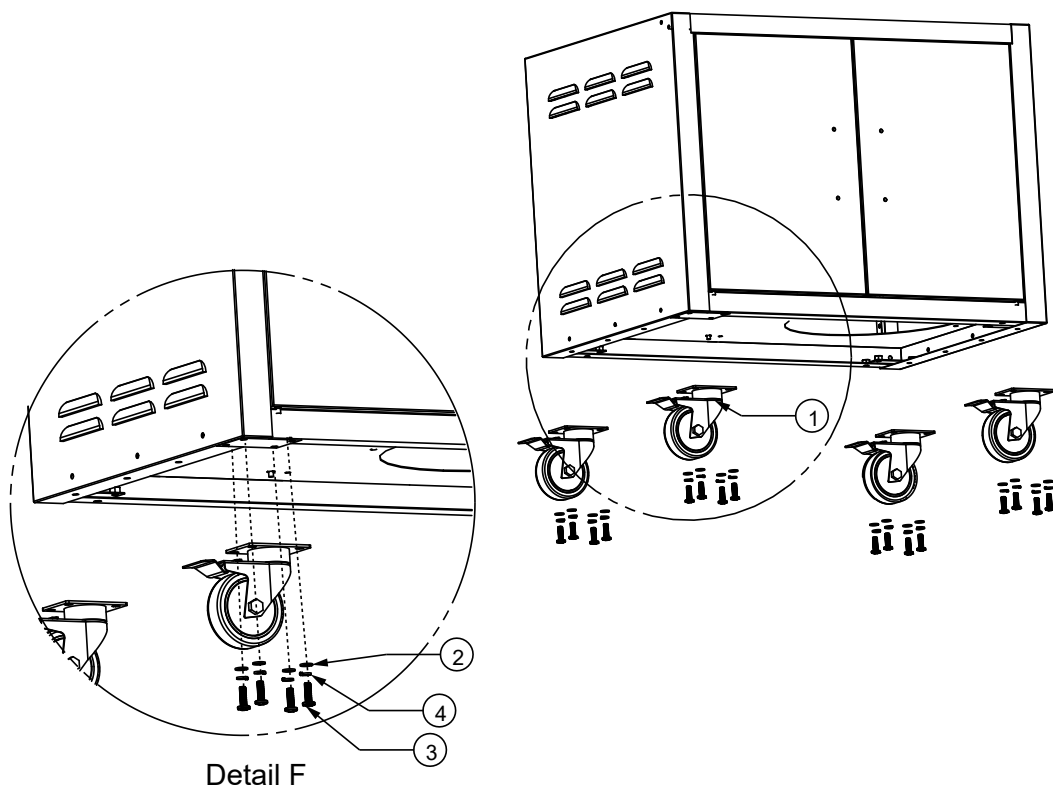


# ASSEMBLY INSTRUCTIONS



Before attempting to assemble your grill cart, check that all the necessary parts are included by using the illustrated parts list. Inspect parts for any damage and contact our service center or local dealer for replacement of any damaged parts. Do not assemble or operate a grill cart that appears to be damaged. For your safety, Bull recommends the assistance of another person when assembling larger and/or heavier items.

**Step. #1** Remove the four casters, screws and washers from the included package. Assemble the casters onto the bottom panel of the cart body with four 8 X 20 mm phillips head screws (1C) ,four Single coil washers(1H) and four 8.5 X 16 mm medium flat washers (1D) per caster. Be sure to attach the two casters with brakes on the same end. Note: Hand tighten all caster screws prior to tightening with a screwdriver. Failure to do so may cause irreparable damage to the caster screws. You may find it easier to do this if you flip the cart upside down.



Item No.	Part Number	Qty	Description
1	16514	4	SWIVEL CASTORS
2	1D	16	WASHER 8.5 x 16
3	1C	16	8 x 20MM ALLEN PAN HEAD SCREW
4	1H	16	WASHER SINGLE COIL - M8.0 x 4.0

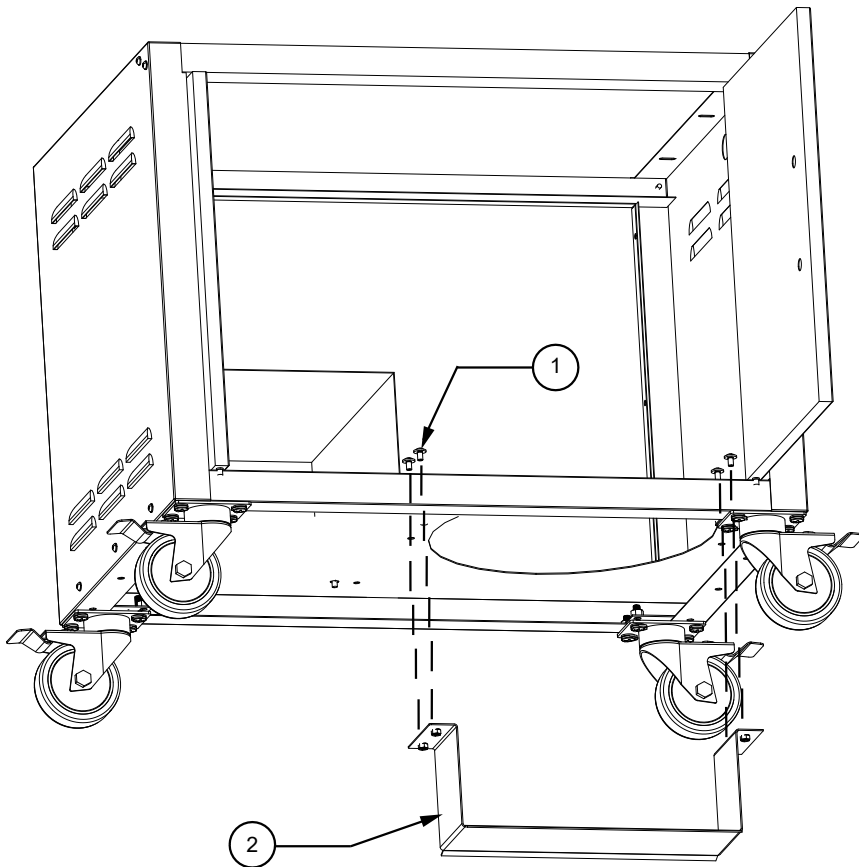


# ASSEMBLY INSTRUCTIONS (Cont.)



## CE VERSION ONLY WITH CYLINDER SUPPORT

**Step #2:** For CE versions only, fix the cylinder support bracket underneath the cart using the 4 (1B) screws supplied.



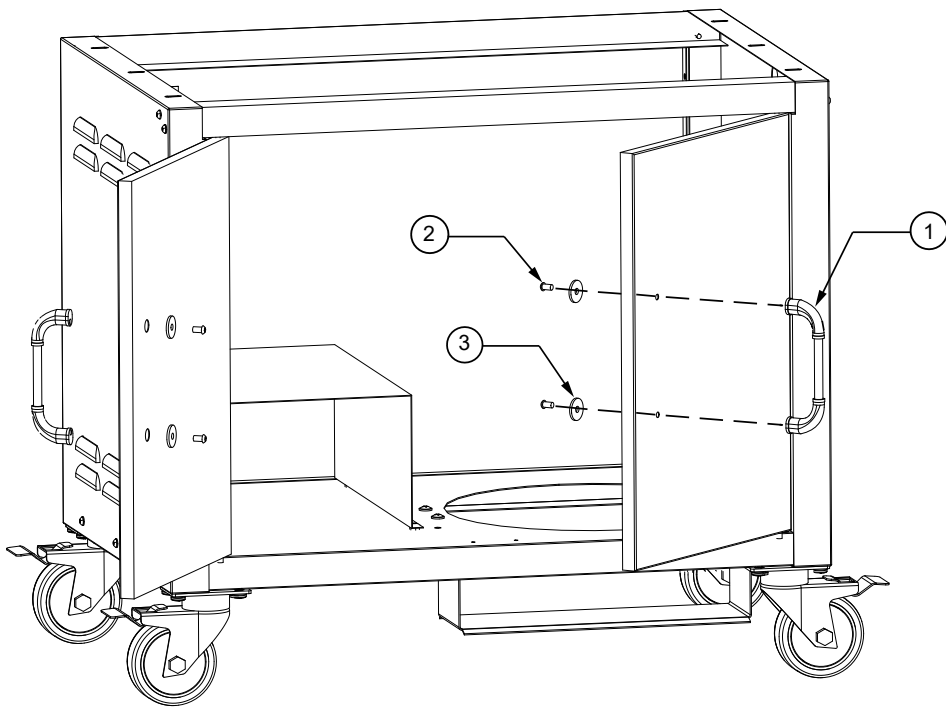
Item No.	Part Number	Qty	Description
1	1B	4	6x10MM PHILLIPS FLAT HEAD SCREW
2	35050	1	CE CYLINDER SUPPORT



# ASSEMBLY INSTRUCTIONS (Cont.)



**Step #3:** Use two 1 x ¼" (1F) Phillips pan head screws and two ¼" x ¾" washers (1E) for each handle and attach the handles on the exterior of each door.



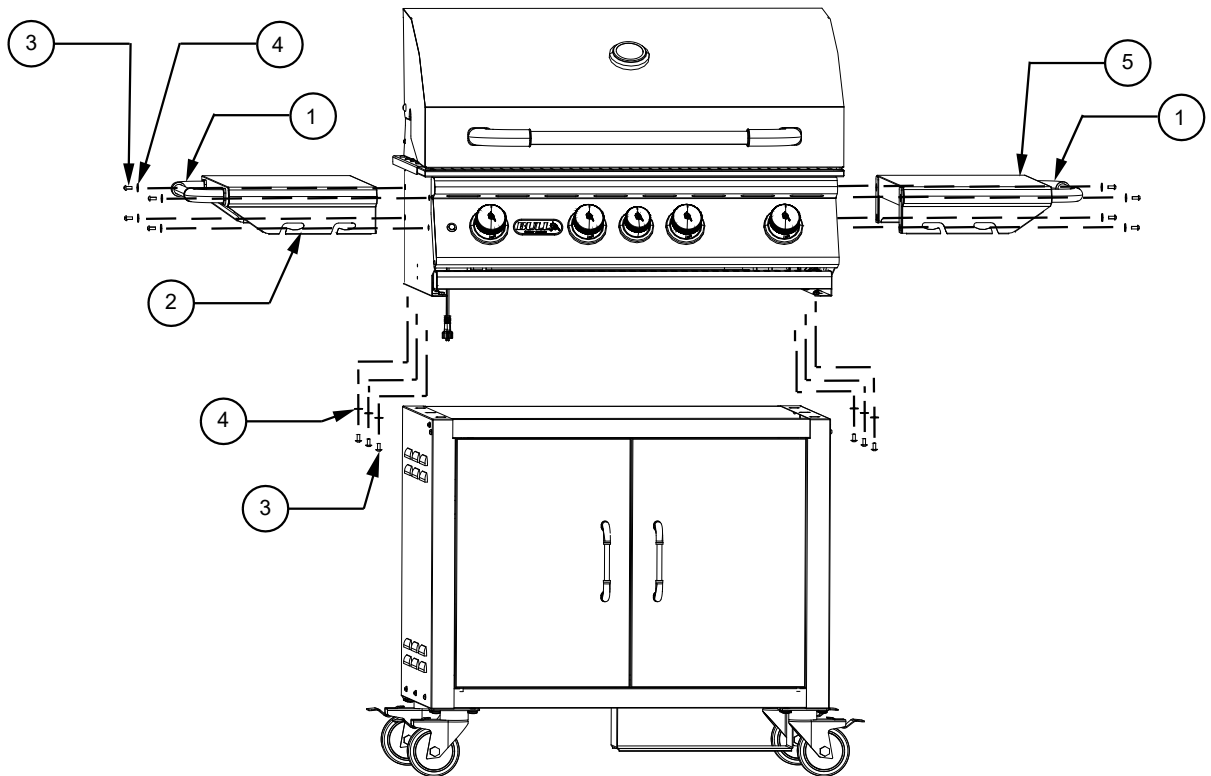
Item No.	Part Number	Qty	Description
1	16572	2	DOOR HANDLE
2	1F	4	¼" x 1" PHILLIPS PAN HEAD
3	1E	4	¼" X ¾" FLAT WASHER



# ASSEMBLY INSTRUCTIONS (Cont.)



**Step #4.** Ensure the swivel casters are in the locked position in order to prevent the cart from moving and causing injury. Place the grill head onto the cart (this step will require at least 2 people). Attach the grill head to the cart body using six 5 x 12 mm phillips head screws (1A) and six flat washers 5.3 x 15 mm (1G) . Use the 3mm Hexagon wrench supplied. Tighten as needed. To prevent damage to the grill do not lift the unit by the shelves. Align the slots on the bottom of the grill head to the slots of the cart. Tighten as needed.



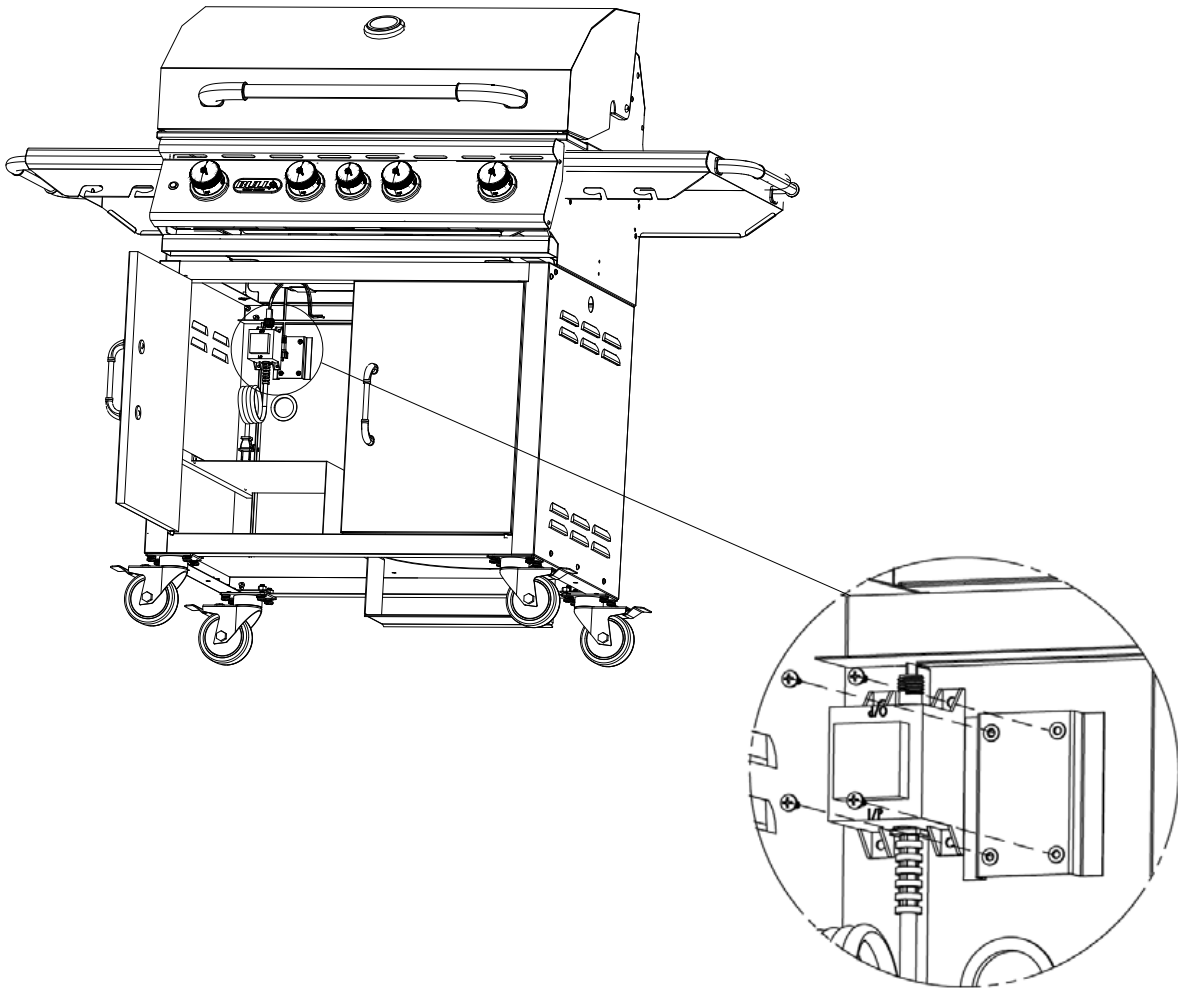
Item No.	Part Number	Qty	Description
1	45520	2	SIDE SHELF HANDLE
2	45522	1	SIDE SHELF LEFT
3	1A	14	5 X 12MM ALLAN PAN HEAD SCREW
4	1G	14	5.3 X 15 MM WASHERS
5	45521	1	SIDE SHELF RIGHT



# ASSEMBLY INSTRUCTIONS (Cont.)



**Step #5.** If your grill head is equipped with an interior light system, attach the grill head transformer to the plate on the inside left of the cart. The screws are already pre-assembled onto the plate.



Detail E

Your grill cart is now completely assembled and ready for use!  
Please read and understand all safety, warning and use instructions in the grill manual before use.





# CLEANING & MAINTENANCE

# BULL



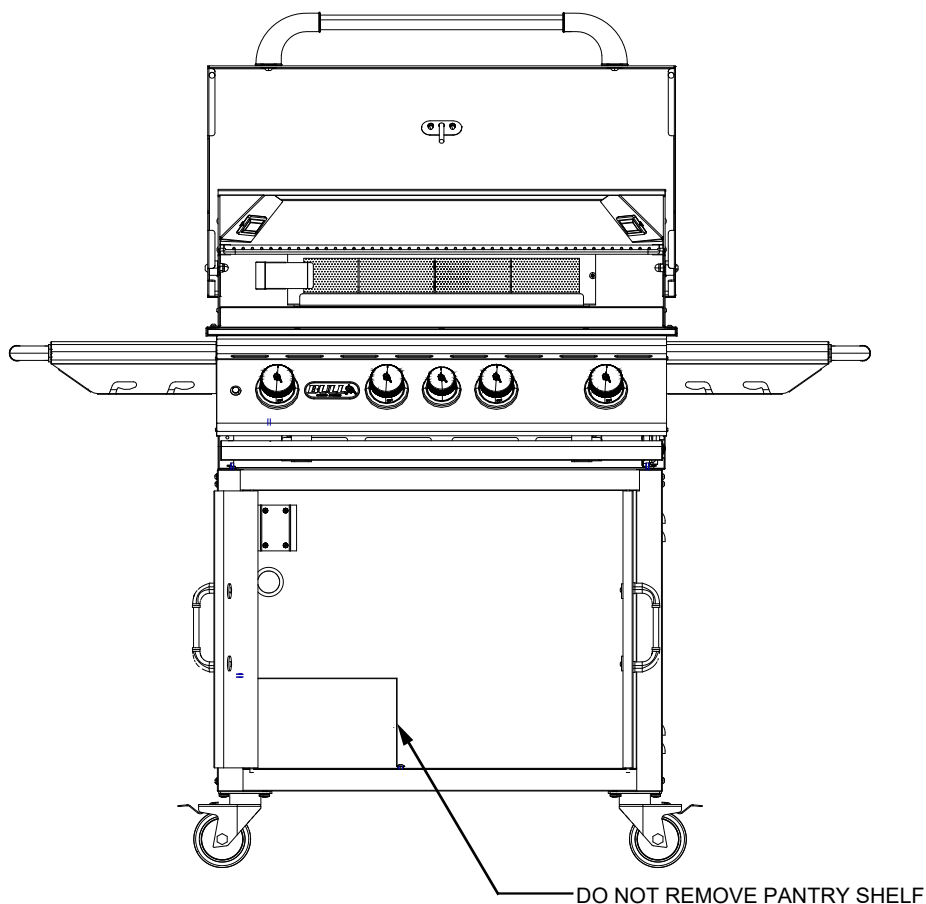
## CLEANING THE GRILL CART

2 easy steps to help you clean your grill cart:  
Make sure the grill head and cart are cool to the touch.  
Wipe down the cart with stainless steel cleaner.

### STAINLESS STEEL CLEANING AND MAINTENANCE

Stainless steel is a corrosion resistant chromium/nickel alloy steel that is both durable as well as strong with an outstanding luster. The goal of your cleaning and maintenance routine should be to keep the stainless steel's protective chromium oxide layer intact. This is what prevents corrosion. Contrary to popular belief, stainless steel is NOT rustproof, especially in the environment of a swimming pool. Chlorine, bromine, some fertilizers and other elements are extremely caustic chemicals for stainless steel. These chemicals combined with heat and humidity greatly increase the corrosiveness of these chemicals. Regular cleaning is the best way to prevent corrosion and add years of enjoyment to your Bull stainless steel products.

**WARNING!** Do not remove the secondary tank prevention bar. Storing a second tank in your cart could cause serious injury.



# PARTS LIST

# BULL



MODEL #45551CE

770mm PEDESTAL CE CART

MODEL #45551

30" PEDESTAL CSA CART

FOR USE WITH ANGUS , LONESTAR SELECT & OUTLAW GRILL HEADS

Item No.	Part Number	Qty	Description	Warranty CSA	Warranty CE
1	16514	4	SWIVEL CASTORS	1 year	2 years
2	1D	16	WASHERS 8.5 X 16	1 year	2 years
3	1C	16	8 X 20MM ALLEN PAN HEAD SCREW	1 year	2 years
4	1H	16	WASHER SINGLE COIL – M8.0 X 4.0	1 year	2 years
5	45570	1	DOOR PANEL RIGHT	1 year	2 years
6	16572	2	DOOR HANDLE	1 year	2 years
7	1F	4	¼" X 1" PHILLIPS PAN HEAD	1 year	2 years
8	1E	4	¼" X ¾" FLAT WASHER	1 year	2 years
9	45508	1	30" (770MM) PEDESTAL CART BODY	1 year	2 years
10	1B	4	6 X 10MM PHILLIPS FLAT HEAD SCREW	1 year	2 years
11	35050	1	CE CYLINDER SUPPORT	1 year	2 years
12	45520	2	SIDE SHELF HANDLE	1 year	2 years
13	45522	1	SIDE SHELF LEFT	1 year	2 years
14	1A	14	5 X 12MM ALLEN PAN HEAD SCREW	1 year	2 years
15	1G	14	5.3 X 15MM WASHERS	1 year	2 years
16	45521	1	SIDE SHELF RIGHT	1 year	2 years
17	45571	1	DOOR PANEL LEFT	1 year	2 years
18	75321	1	TANK RETENTION BOLT	1 year	2 years

- Warranty period may vary depending Distributor and Country regulations.
- Example: Minimum is 2 years in Europe.

## HOW TO ORDER REPLACEMENT PARTS

Please refer to the parts list on this page.

To make sure you obtain the replacement parts for your grill cart, the following information is required to assure the correct part.

1. Reference number of replacement part needed.
2. Description of replacement part needed.
3. Quantity of parts needed.

**IMPORTANT:** Use only factory authorized parts. The use of any part that is not factory authorized can be dangerous and will void your warranty.

**IMPORTANT:** Keep this assembly and operating instruction manual for referral, and for replacement parts ordering.

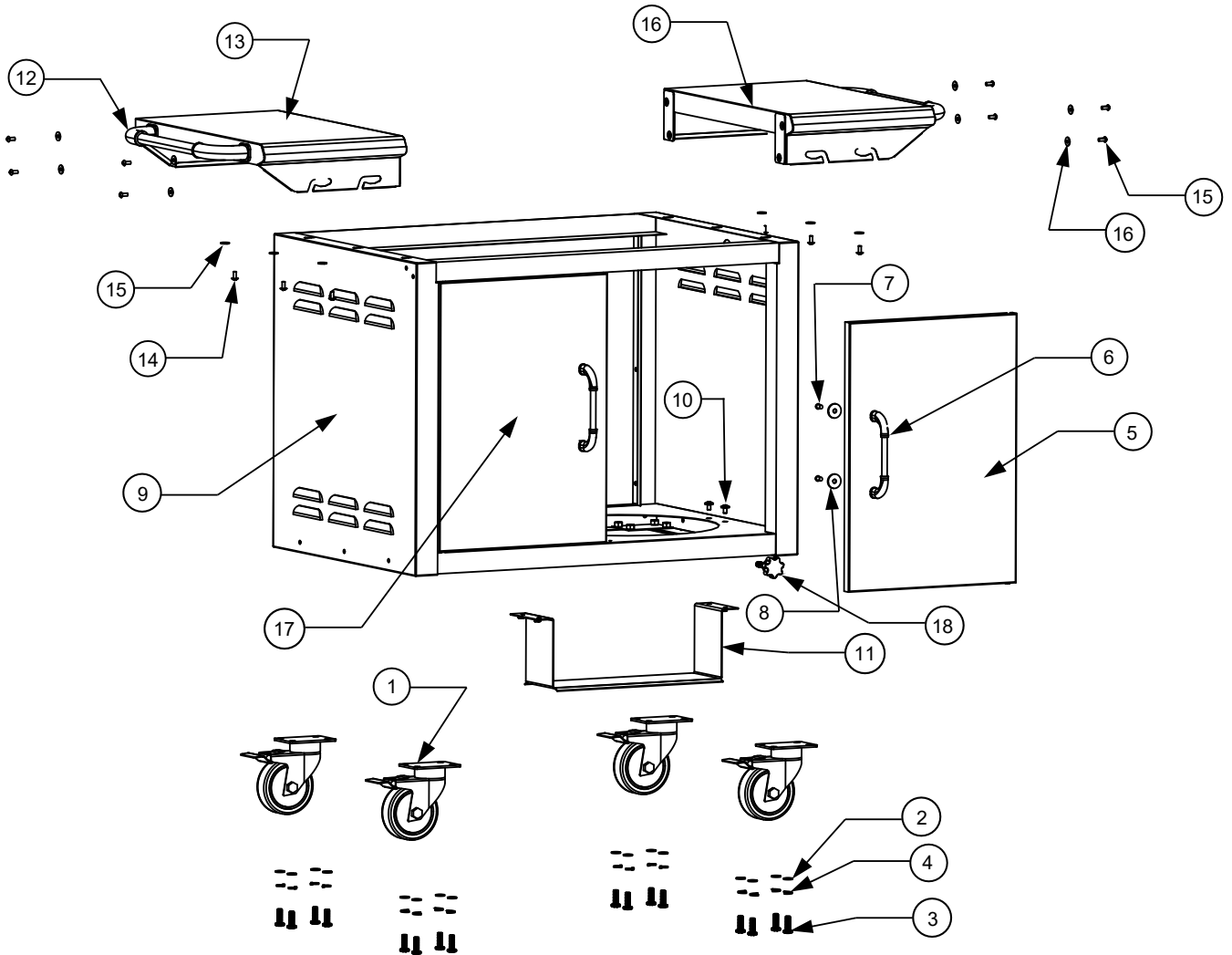
Serial number location: Please record your serial number on the limited warranty page of this manual. It is important that this step is completed in order to ensure that correct parts are provided.



# EXPLODED ILLUSTRATION



MODEL #45551CE                      770mm PEDESTAL CE CART  
MODEL #45551                        30" PEDESTAL CSA CART  
FOR USE WITH ANGUS , LONESTAR SELECT & OUTLAW GRILL HEADS



# LIMITED WARRANTY



## REGISTERING YOUR GRILL

In order to validate your Bull Limited Warranty, you must complete the Warranty Registration Card within 90 days from the Proof of Purchase. You may register your unit either online at

[www.bullbbq.com](http://www.bullbbq.com) for Worldwide customers except EMEA (Europe, Middle East and Africa)

or by sending in the completed hard copy along with a copy of the Proof of Purchase to:

Bull Outdoor Products, Inc., 2483 W. Walnut Ave., Rialto, CA 92376. ATTN: Warranty Service Center

[www.bullbbq.eu](http://www.bullbbq.eu) for EMEA customers (Europe, Middle East and Africa)

or by sending in the completed hard copy along with a copy of the Proof of Purchase to:

Bull Europe Ltd., Zamco Buildings, Mill Street, Qormi, Qrm3103, Malta

Bull Outdoor Products Inc. and Bull Europe Ltd warrants to the original purchaser at the original site of delivery with proof of purchase of each Outdoor Gas Grill that when subject to normal residential use, it is free from defects in workmanship and materials for the periods specified below. This warranty excludes grills used in rental or commercial applications. It does not apply to rust, corrosion, oxidation or discoloration, which may occur due to moisture or overheating, unless the affected component becomes inoperable. It does not cover labor or labor related charges. There will be a shipping and handling charge for the delivery of the warranty part(s).

Our obligation under this warranty is limited to repair or replacement, at our option, of the product during the warranty period. The extent of any liability of Bull Europe Ltd under this warranty is limited to repair or replacement. This warranty does not cover normal wear of parts, damage resulting from any of the following: negligent use or misuse of the product, use on improper fuel/gas supply, use contrary to operating instructions, or alteration by any person other than our factory service center. The warranty period is not extended by such repair or replacement.

**Warranty claim procedure:** If you require service or parts for your Bull grill or if you have any questions about warranty, please contact your local dealer or our Warranty Service Centers for direct assistance.

Bull Outdoor Products Inc.

Our hours of operation are 8AM to 4 PM PST. Our phone number is (800) 521-2855 and our FAX number is (909) 770-8627.

Bull Europe Ltd.

Our hours of operation are 8AM to 5PM GMT+1. Our phone number is + 356 22792 113 and our FAX number is + 356 22792 120.

Product repair as provided under this warranty is your exclusive remedy. Bull Outdoor Products Inc and Bull Europe Ltd. shall not be liable for any incidental or consequential damages for breach of any express or implied warranty on its products. Except to the extent prohibited by applicable law, any implied warranty or merchantability or fitness for a particular purpose on this product to the duration of the above warranty. Some EU Countries do not allow the exclusion or limitation of incidental or consequential damages, or allow limitations on how long an implied warranty lasts, so the above limitations or exclusions may not apply to you. This warranty gives you specific legal rights, and you may have other rights, which vary from Country to Country.

**Model Number** \_\_\_\_\_

**Serial Number** \_\_\_\_\_

**Date of Purchase** \_\_\_\_\_

***\*Attach a copy of your receipt or invoice here\****

