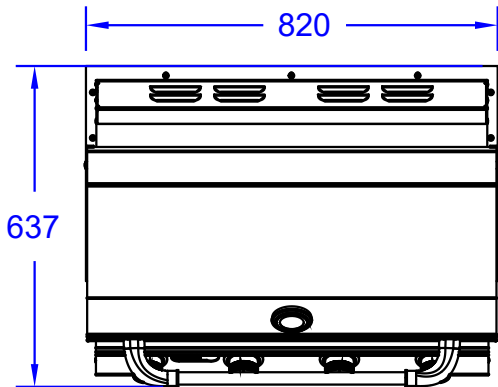
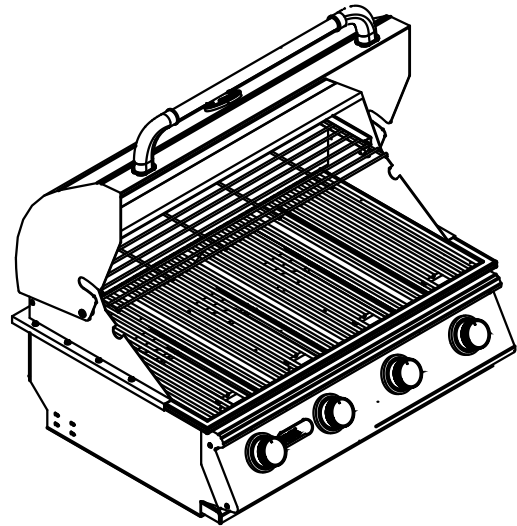




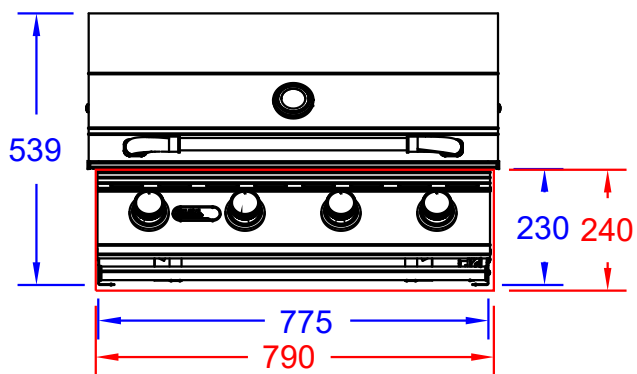
ITEM: #26038LP  
OUTLAW GRILL



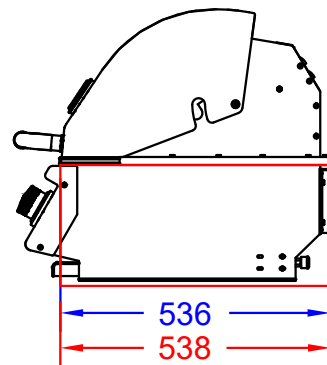
Top View



Isometric View



Front View



Side View

SPEC SHEET NOTES:

1. CUTOUT DIMENSIONS: 790L X 538D X 240H

2. SCALE: 1:15

3. REVISION: 07/2019

Printer page scaling none, do not use fit to printable area option